



1/16 E-Revo LED Light Kit Instructions

Covers Part(s) #7185A, 7186A

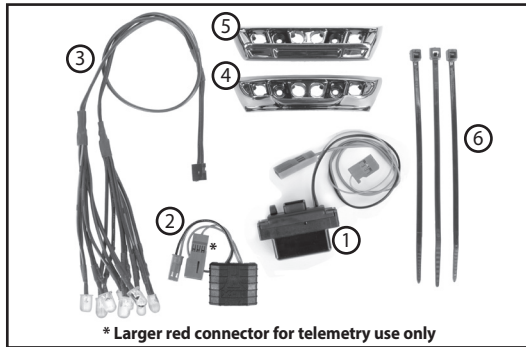
Note: Ensure vehicle battery is unplugged before beginning installation. Retain and reuse all parts and fasteners (unless otherwise noted). Your model may differ slightly from the one shown in the illustrations.

Kit Contents:

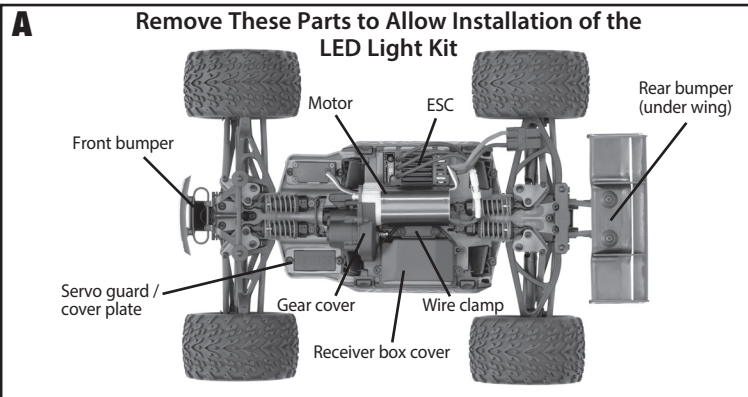
- 1 - LED lighting module (included with part #7185A only)
- 2 - Power tap
- 3 - LED harness
- 4 - Front bumper
- 5 - Rear bumper
- 6 - Zip ties (3)

Tools Needed:

- 2.5mm hex driver
- 2.0mm hex driver
- 1.5mm hex driver
- Wire cutter (to trim zip tie excess)

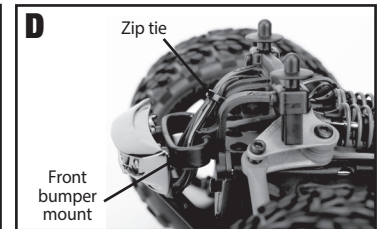
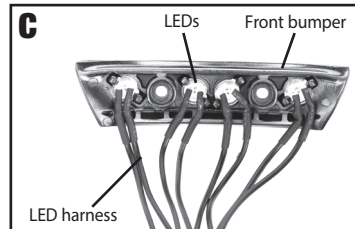
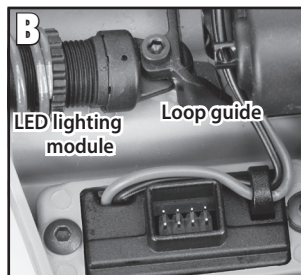


Tip: Sort the hardware by assembly as you remove them so you can easily locate the correct hardware during reinstallation. (A)

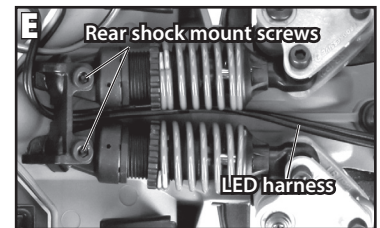


LED Harness Installation

1. Remove the parts shown in Fig. A.
2. Install the LED lighting module and route the wires through the loop guide (B).
3. Route the short end of the LED harness through the front body mount (D).
4. Snap the LEDs into the new front bumper (C).
5. Route the wires against the front bumper; then, install the bumper on the front bumper mount. Secure the harness to the front body mount with a zip tie (trim excess) (C, D).
6. Continue to route the LED harness down the center of the chassis as shown in Fig. J. Plug the LED harness connector into the LED lighting module. Route the module wires and the LED harness around the transmission and secure them with a zip tie (trim excess) (J).

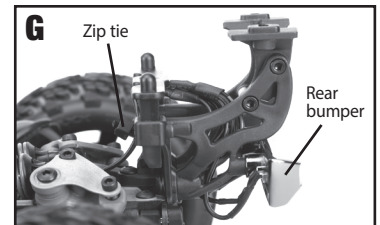
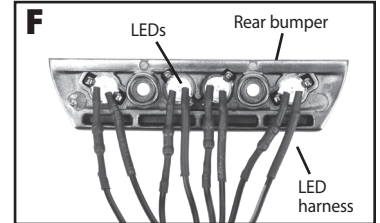


7. Fully loosen the two rear shock mount screws, raise the rear shock mount slightly, and route the long end of the LED harness under the shock mount (between the shocks). Tighten the rear shock mount screws; then, continue routing the LED harness toward the rear bumper (E).



CAUTION: Do not pinch the wiring between the shock mount and the chassis.

8. Snap the LEDs into the new rear bumper (F).
9. Route the wires against the rear bumper; then, install the bumper on the rear bumper mount. Secure the harness to the rear body mount with a zip tie (trim excess) (F, G). Plug the LED harness connector into the LED lighting module.
10. Thread the red wire from the LED lighting module through the opening in the receiver box cover and plug the connector into any available channel in the receiver box (DO NOT use the V/T or RPM ports) (H).

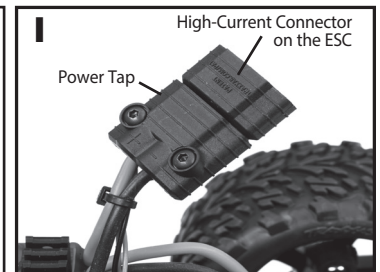
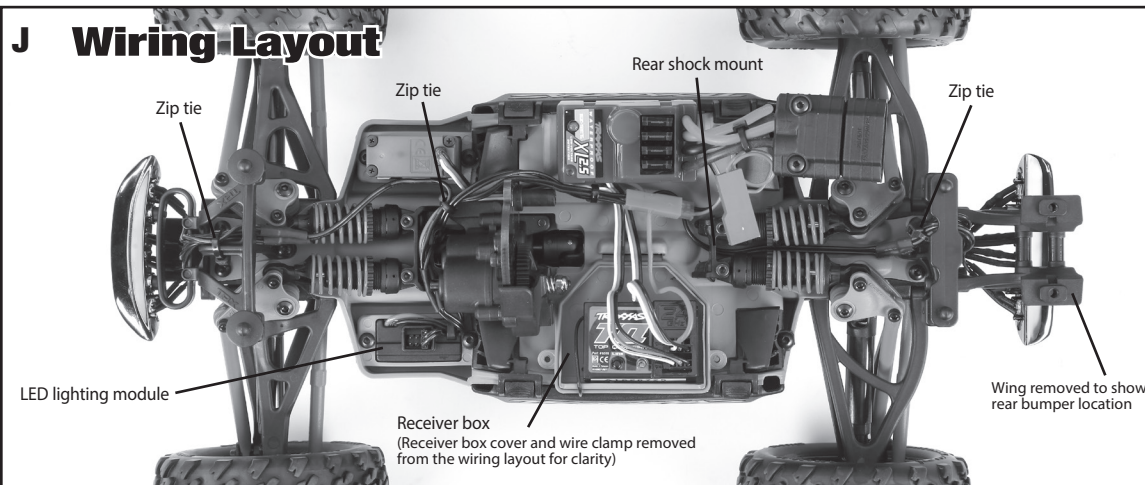
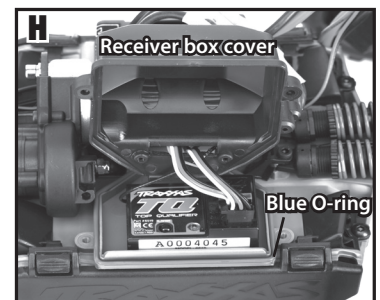


Note: If you install the included power tap, the red female connector from the power tap can be used to connect the temperature/voltage sensor (part #6523, sold separately) to the electronic speed control (ESC).**

11. Reinstall the ESC, the receiver box cover, the wire clamp, the motor, and the gear cover.

Note: Ensure that the blue o-ring is properly seated in the groove around the receiver box cover. Check for proper adjustment of the gear mesh. Refer to the vehicle Owner's Manual for detailed instructions.

12. Plug the battery into the High-Current Connector on the ESC (I).
13. The lights will turn on when the ESC is turned on.

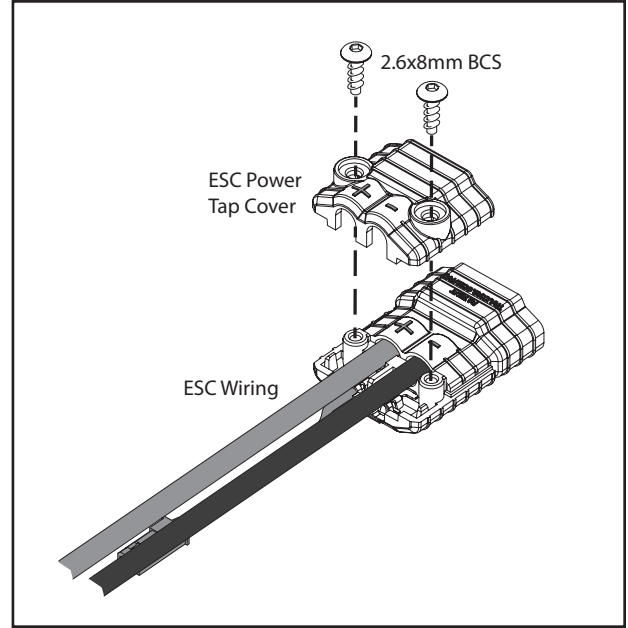
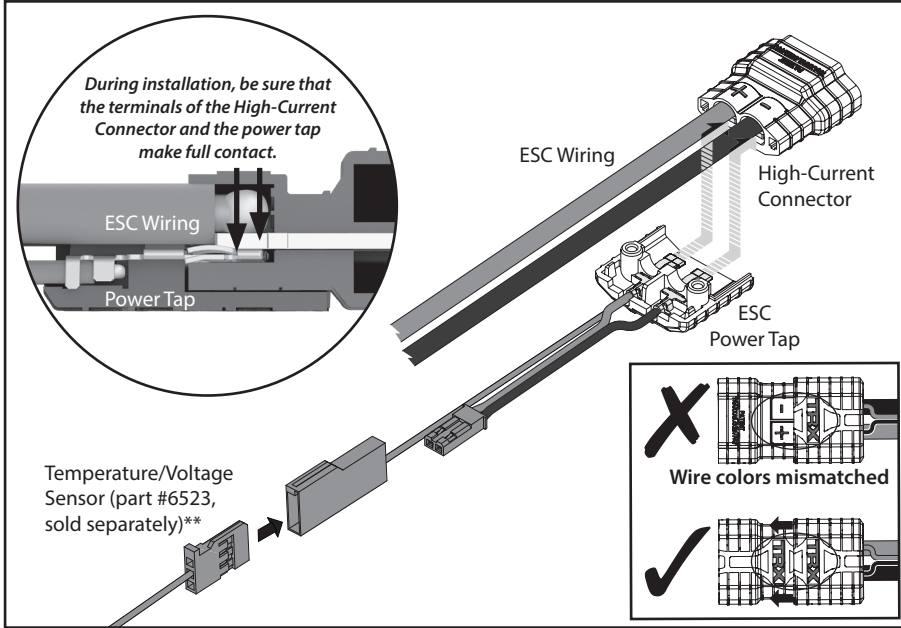


Installation of the power tap

Note: If the wiring from your speed control is not equipped with the 2-pin male connector (black wire with red connector), you must install the included power tap on the High-Current Connector.



CAUTION: RISK OF DAMAGE TO ACCESSORIES! Note the polarity and wire color on the pre-installed wires on the power tap. Ensure the polarity is correct during installation on the High-Current Connector: red (+) (positive), black (-) (negative).



**TQi Radio System required for functionality. Visit Traxxas.com for more information.

